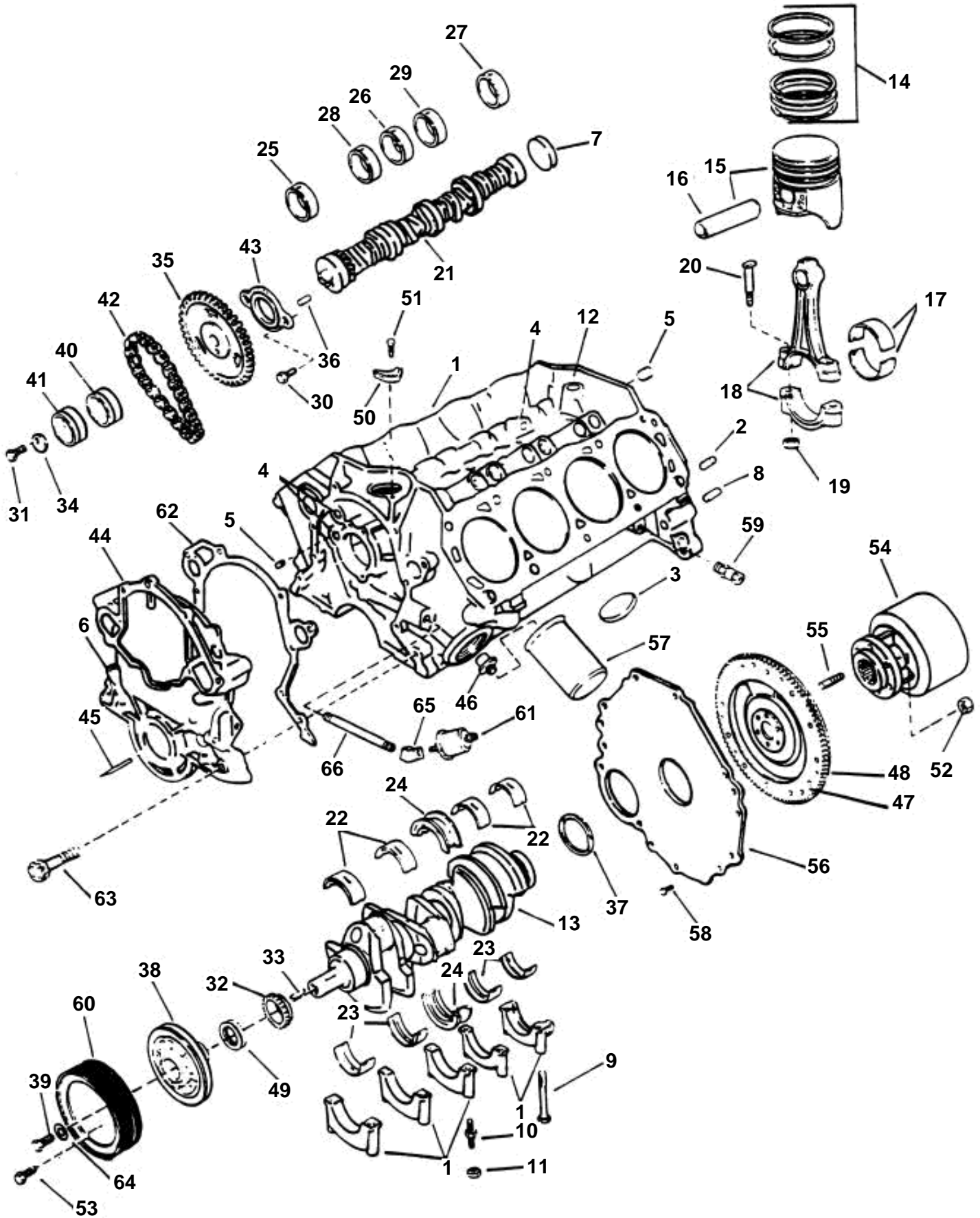


CRANKCASE - 5.8 LITRE



CRANKCASE - 5.8 LITRE

REF	PART NO.	QTY	DESCRIPTION	SEE SEC.	NOTES
1	3855165	1	Longblock		
			Bulletin P-21-0-7	P-21-0-7-EN	Longblock guidelines, 5.0L, 5.8L, Ford
2	3853007	4	Guide sleeve, Cylinder head		
3	3852650	6	Cap plug, Core hole		
4	3853008	2	Cap plug, Oil passage		
5	3853108	6	Plug, Oil gallery		
6	3853008	2	Cap plug, Oil level hole		
7	3852766	1	Cap plug, Rear, cam, standard		
	3853009	X	Cap plug, Rear, cam, 0.60 in. O/S		
8	3853076	1	Locating pin, Adapter to block		
9	3853101	9	Screw, Main cap		
10	3853102	1	Stud, Main cap		
11	3853026	1	Nut, Main cap		
12	3853010	1	Cap plug, Oil gallery		
13	3852793	1	Crankshaft		
14	3853268	4	Piston ring kit, Standard		Contains Rings for 2 Pistons
	3853269	X	Piston ring kit, 0.020 in. O/S		Contains Rings for 2 Pistons
	3853270	X	Piston ring kit, 0.030 in. O/S		Contains Rings for 2 Pistons
	3853271	X	Piston ring kit, 0.040 in. O/S		Contains Rings for 2 Pistons
15	3853899	8	Piston, Standard, red		
	3853898	X	Piston, Standard, blue		
	3853886	X	Piston, 0.003 in. O/S		
	3853949	X	Piston, 0.020 in. O/S		
	3853950	X	Piston, 0.030 in. O/S		
	3853951	X	Piston, 0.040 in. O/S		
16	3852773	8	· Piston pin, Piston, standard		
17	3852774	16	Rod bearing, Rod, standard		
	3853079	X	Main bearing, Rod, 0.001 in. U/S		
	3853080	X	Main bearing, Rod, 0.002 in. U/S		
	3853081	X	Rod bearing, Rod, 0.010 in. U/S		
	3853082	X	Rod bearing, Rod, 0.020 in. U/S		
	3853083	X	Rod bearing, Rod, 0.030 in. U/S		
18	3853902	8	Connecting rod		
19	3852675	16	· Nut, Connecting rod		
20	3852674	16	· Screw, Connecting rod		
21	3852779	1	Camshaft		
22	3852801	8	Main bearing, Main, standard, upper		
			Bulletin P-21-6-1	P-21-6-1-EN	Main Bearing Kits, 5.0 and 5.8L Ford
22	3853084	X	Main bearing, Main, 0.001 in. U/S, upper		
	3853085	X	Main bearing, Main, 0.002 in. U/S, upper		
	3853086	X	Main bearing, Main, 0.010 in. U/S, upper		
	3853087	X	Main bearing, Main, 0.020 in. U/S, upper		
	3853088	X	Main bearing, Main, 0.030 in. U/S, upper		
23	3852802	8	Main bearing, Main, standard, lower		
			Bulletin P-21-6-1	P-21-6-1-EN	Main Bearing Kits, 5.0 and 5.8L Ford
23	3853089	X	Main bearing, Main, 0.001 in. U/S, lower		
	3853090	X	Main bearing, Main, 0.002 in. U/S, lower		
	3853091	X	Main bearing, Main, 0.010 in. U/S, lower		
	3853092	X	Main bearing, Main, 0.020 in. U/S, lower		
	3853093	X	Main bearing, Main, 0.030 in. U/S, lower		
24	3852803	2	Thrust bearing, Main, center, standard		
			Bulletin P-21-6-1	P-21-6-1-EN	Main Bearing Kits, 5.0 and 5.8L Ford
24	3853094	X	Thrust bearing, Main, center, 0.001 in. U/S		
	3853095	X	Thrust bearing, Main, center, 0.002 in. U/S		
	3853096	X	Thrust bearing, Main, center, 0.010 in. U/S		
	3853097	X	Thrust bearing, Main, center, 0.020 in. U/S		
	3853098	X	Thrust bearing, Main, center, 0.030 in. U/S		
25	3852780	1	Camshaft bearing, Front, standard		
	3853018	X	Camshaft bearing, Front, 0.015 in. U/S		
26	3852781	1	Camshaft bearing, Center, standard		
	3853019	X	Camshaft bearing, Center, 0.015 in. U/S		
27	3852782	1	Camshaft bearing, Rear, standard		
	3853020	X	Camshaft bearing, Rear, 0.015 in. U/S		
28	3852783	1	Camshaft bearing, Front intermediate, std		

CRANKCASE - 5.8 LITRE

REF	PART NO.	QTY	DESCRIPTION	SEE SEC.	NOTES
28	3853022	X	Camshaft bearing, Front intermediate, 0.015 in. U/S		
29	3852784	1	Camshaft bearing, Rear intermediate, std		
	3853023	X	Camshaft bearing, Rear intrmed., 0.015 in. U/S		
30	3852788	2	Screw, Thrust plate		
31	3852791	1	Screw, Eccentric		
32	3852794	1	Sprocket, Crankshaft		
33	3852796	1	Key, Sprocket		
34	3852790	1	Washer, Camshaft sprocket		
35	3852785	1	Sprocket, Camshaft		
36	3852786	1	Locating pin		
37	3852806	1	Seal, Rear		
38	3853904	1	Vibration damper, Crankshaft		
39	3853021	1	Screw, Damper		
40	3852673	1	Guide, Fuel pump, outer		
41	3852789	1	Guide, Fuel pump, inner		
42	3853903	1	Chain, Timing		
43	3852787	1	Thrust plate, Standard		
	3853024	X	Thrust plate, 0.002 in. O/S		
	3853025	X	Thrust plate, 0.004 in. O/S		
44	3853893	1	Timing gear casing, Front.....		
45	3852768	1	Turn signal, Timing		
46	3853035	1	Insert, Oil filter		
47	3853952	1	Flywheel		
48	3852804	1	Gear ring, Flywheel		
49	3853827	1	Seal, Front cover		
50	3853078	1	Clamp, Distributor		
51	3853077	1	Screw, Clamp		
52	3853273	6	Lock nut, Coupling		
53	3853557	3	Screw, Pulley to crankshaft		
54	3853862	1	Rubber coupling, Flywheel		
55	3853274	6	Stud, Coupling		
56	3853003	1	Cover, Flywheel		
57	835779	1	Oil filter		
58	3852421	5	Screw, Cover to housing		
59	3854494	2	Drain cock, Water drain		
60	3854188	1	Pulley, Crankshaft		
61	3853800	1	Oil pressure sensor, Oil pressure		
	834921	1	Oil pressure sensor, Oil psi, Dual station		
62	3852767	1	Gasket, Front cover		
63	3853012	X	Screw, Cover to block, 1 3/4		
	3853011	X	Screw, Front cover, 2 in		
	3853013	X	Screw, Front cover, 2 1/4 in		
	3853014	X	Screw, Front cover, 2 1/2 in		
64	3853075	1	Washer, Damper		
65	3852711	1	Fitting, Sending unit		
66	3852712	1	Nipple, Sending unit		